

BOOKCASE

STORAGE

[Price Guide](#) ◀



TABLE OF CONTENTS

3	General Information
5	Product Specifications
6	Pricing - Bookcase Storage

General Information

Sales of In2design products are in accordance with the terms and conditions outlined in this Price List. These terms and conditions may be changed or supplemented only by a separately written document signed and authorized by in2design.

Prices

The prices published in this Price List, as well as those quoted by in2design shall be suggested List Prices. List Prices are subject to change without prior notice.

List Prices are those that are in effect at time of order receipt. If shipping date requested is more than 90 days from date of order, in2design shall have the right to use the published list prices effective at the time of shipment.

Taxes

All prices shown in this Price List are exclusive of sales, excise, GST and other applicable taxes. The Purchaser is responsible to remit directly to in2design all such taxes as per the invoice.

A Tax Exemption Certificate (if applicable) must be on file with in2design prior to the product shipment, otherwise, sales tax will be due and payable.

Payment Terms

All orders are invoiced at time of shipment. Terms of payment are NET thirty (30) days from date of invoice.

In2design shall exercise the right to enforce a charge amounting to 2% per month, or 24% annually on any past due invoice or outstanding balance.

All products sold shall remain the personal property of in2design until fully paid. The purchaser agrees to perform all acts which may be necessary to assure retention of title to such products to in2design until such time as the products have been paid in full.

Credit

Should the Purchaser fail to fulfill the terms of payment, in2design may defer further shipments until all such payments are made or may, at its option cancel the unshipped balance without prejudice to any other rights which in2design may have against the Purchaser.

Shipments and deliveries shall at all times be subject to approval of the Purchaser's credit.

Order Placement

In2design requires that all orders be submitted in writing as represented by a valid Purchase Order and accompanied by a layout/drawing to avoid errors and or duplication. The Purchaser is responsible for providing complete and accurate information when placing an order. Orders with incorrect/incomplete information will result in order processing and shipment delays. Product leadtimes will be based upon receipt of a complete and accurate Purchase Order.

Order Acknowledgement

All orders submitted will be acknowledged. It is the Purchaser's responsibility to review the acknowledgement for accuracy. In the event of an error, the Purchaser must notify in2design immediately (within 48 hours) in writing by fax or e-mail.

Delivery Dates

In2design shall exercise its best efforts to deliver within the date specified on the Acknowledgement. In2design shall not incur any obligation or liability to the Purchaser for delay or failure to deliver goods due to causes beyond our control.

Order Changes & Cancellations

Any changes to the original Purchase Order must be received in writing within 48 hrs of the order acknowledgement. Any change to the original Purchase Order beyond the 48 hrs will result in re-scheduling and subject to a restocking charge commensurate with the incurred production costs.

All orders are considered firm and not subject to cancellation by the Purchaser without the written consent of in2design. Special order items and COM items are not subject to changes or cancellation under any circumstances.

COM Orders

A request for non-standard material (laminated) must be approved prior to acceptance of an order. Material must be shipped prepaid to in2design Customer Service Team and properly identified. Performance of COM is the sole responsibility of the Purchaser.

Errors & Omissions

All quotations, acknowledgements and invoices are subject to corrections for any errors and omissions.

Shipping & Delivery

All products are sold F.O.B. in2design's Manufacturing Facility: Vaughan Ontario, unless otherwise stated and agreed.

The Purchaser will determine the method of transportation and the routing of shipment.

Shipping & Delivery

All deliveries will be dock-to-dock, unless otherwise specified.

Shipment Claims

In2design carefully prepares and inspects all products for safe shipment. Legal title to merchandise passes to the Purchaser upon acceptance by the carrier. Inspect all cartons upon delivery.

It is the responsibility of the Purchaser to examine goods upon receipt and to file any claims with the carrier for losses or damage to the product. Details of visible damage should be noted on the delivery receipt. Product shortages must be noted on delivery receipts at the time of delivery and immediately reported to the carrier for correction.

Failure to make any claims against in2design within 10 days shall constitute acceptance of the products and a waiver of any defects, errors or shortages discovered upon inspection.

Product Returns

No return of product will be accepted without the written consent of in2design. Any shipment returned without prior written approval will be refused and returned to the sender freight collect. If approved, a minimum restocking charge of 35% of the original net price shall be charged on returns for credit or refund provided the goods are received in original factory condition.

Storage

In the event the Purchaser requests postponement of the shipment beyond the scheduled delivery date, in2design, in2design may transfer product to storage at the Purchaser's risk and expense. Upon such transfer, the Purchaser assumes risk of loss or damage.

Product Warranty

In2design warrants its products to be free from defects in material and workmanship for a period of ten (10) years from the date of delivery. This warranty extends only to original Purchasers acquiring the product directly from Authorized Dealers and shall apply to product(s) installed by Authorized installers.

This warranty does not extend to C.O.M. applied to in2design products, or products which have been modified or installed contrary to recommended application and installation guidelines.

In2design will not authorize any warranty, parts or labour without the appropriate warranty numbers. All claims with respect to products alleged to be defective must be made within ten (10) days and submitted in writing.

This warranty excludes normal wear and tear, damages caused during shipment or storage; damage due to accident; improper use, negligence or willful abuse; unauthorized alterations or improper installation.

In2design extends no other warranties, expressed or implied, including warranty of merchantability or fitness for a particular purpose. In2design shall not be liable for loss of time, inconvenience, commercial loss, incidental or consequential damages.

Customer Satisfaction

Our goal is to provide the very best service to our customers and to ensure complete product and performance satisfaction. We will exercise our best efforts to achieve this goal.

Quality Standards

All in2design products are ANSI/BIFMA tested and manufactured to ISO 9001 Quality Standards.

Product Specifications

Stacked Modular Bookcases

All Modules are available in Melamine Laminate, in a vast selection of finishes.

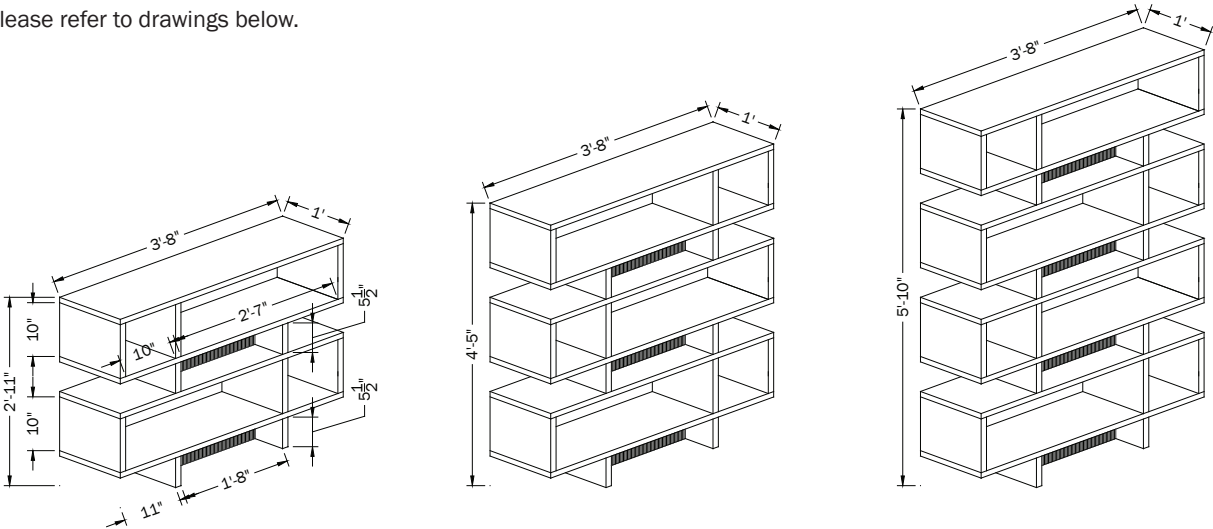
All Frames are 1" thick. The Laminate Fascias are 3/4" thick. All Frame edges are seamlessly finished with matching 1mm thick PVC edgework providing durability and user safety.

Bookcases measure 44"w x 15"d. The shelf openings provide 10" height clearance.

Modules are available in 3 heights: 35" (BC2), 53" (BC3) and 70" (BC4).

Sizes & Dimensions

Please refer to drawings below.



Connections

Metal-to-Metal mini-fix and Dowel Joinery connections. All hardware is included. Each Module is shipped ready to be assembled.

Glides

Each Module is equipped with four (4) fixed glides.

Woodgrain Direction

Standard Woodgrain Direction for both Frames and Laminate Fascias is "vertical". Shelves is horizontal.

Finish Options

Please consult with your In2design Representative.

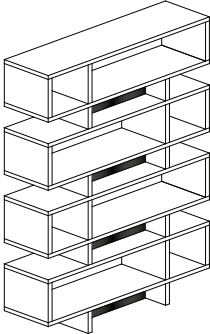
Product Codes

Product codes contained herein identify the product category, product size and product attributes. Laminate finish selections are required to complete the product code.

Bookcase Storage

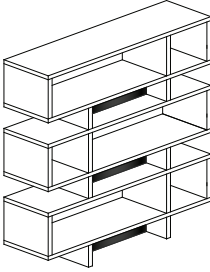
Description	Product Code	ML Price	Dimensions			Weight	Cubic Feet
			W	D	H		

70" H Stacked Modular Bookcase (BC4)



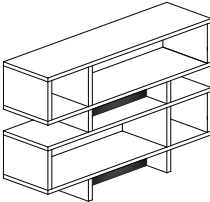
SMBC 441270	1655	44	12	70	160	6
-------------	------	----	----	----	-----	---

53" H Stacked Modular Bookcase (BC3)



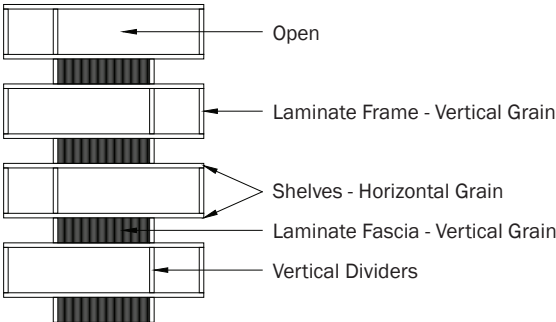
SMBC 441253	1265	44	12	53	120	5
-------------	------	----	----	----	-----	---

35" H Stacked Modular Bookcase (BC2)



SMBC 441235	895	44	12	35	80	4
-------------	-----	----	----	----	----	---

Materials/Finishes (Module BC4 Shown)



Materials/Finishes

Stacked Modular Bookcases are uniquely divided. The use of laminate fascias and open spaces provides visual interest for displays and organized storage.

Melamine laminate frames and fascias can be specified in matching Finish.

Pricing is based on In2 Design Standard Finishes.

